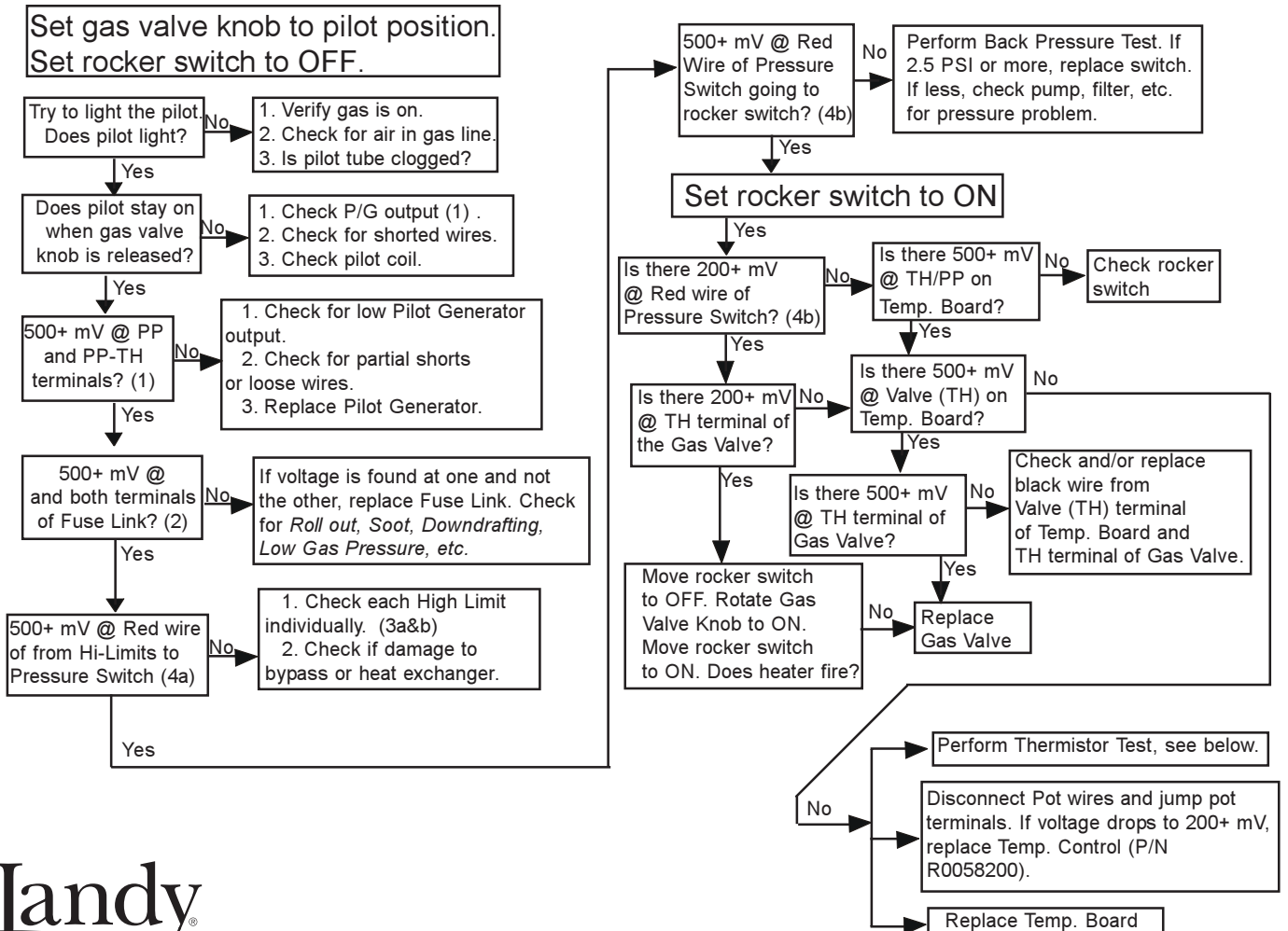
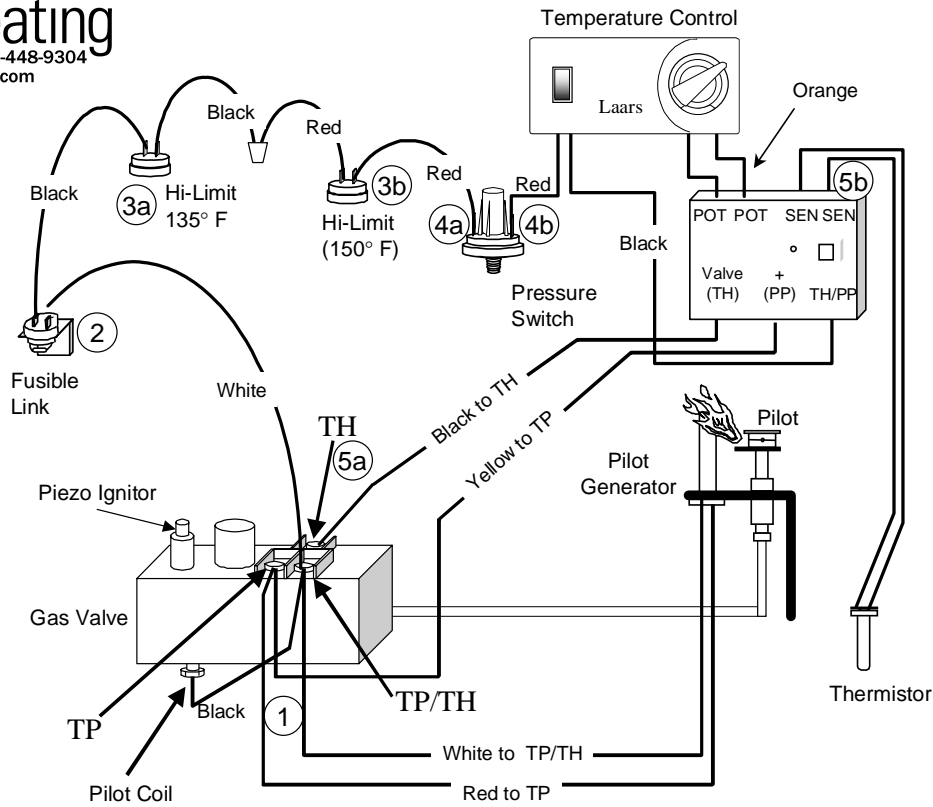


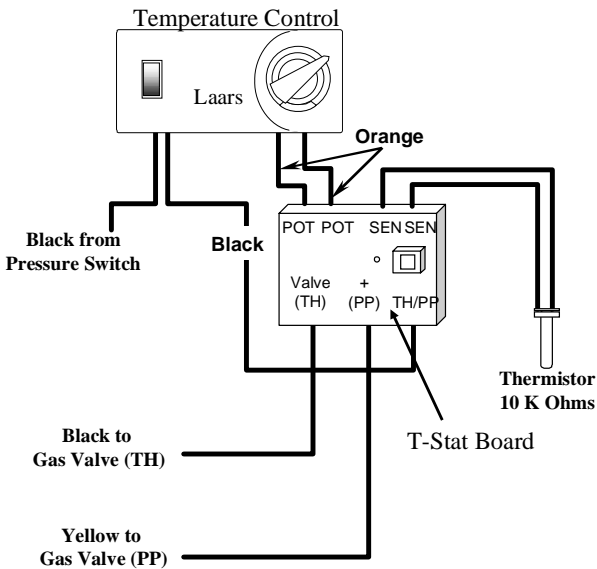
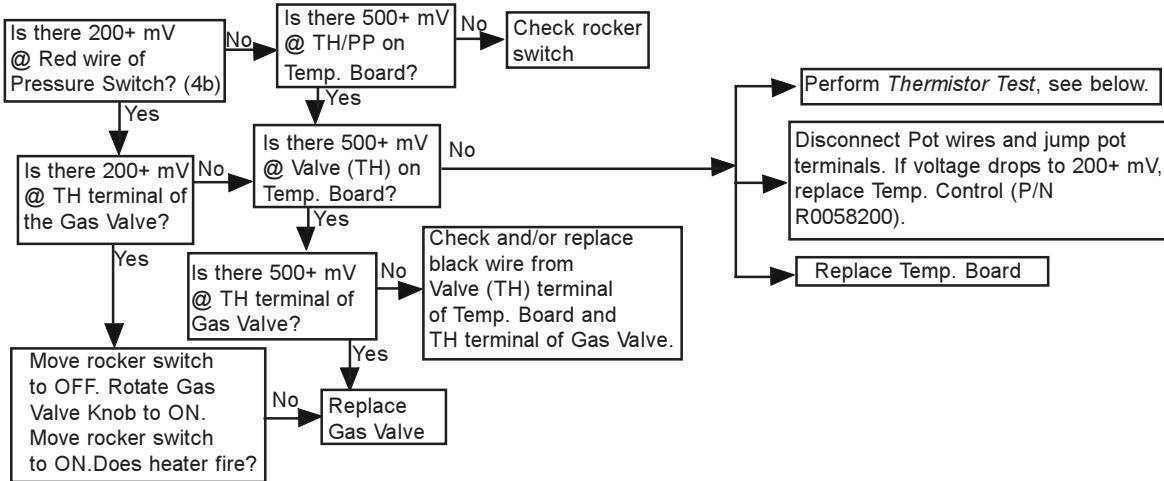
## HOT SHOT (100K) HEATER TROUBLESHOOTING



# HOT SHOT (100K) HEATER TROUBLESHOOTING

## Temperature Control Test

Set Gas Valve Knob to pilot position  
Set heater rocker switch to On  
Set thermostat to maximum



## Thermistor Temp/Resistance Chart

Temp	Resistance	Temp	Resistance
50° F	19.898 K Ohms	78° F	9.735 K Ohms
51° F	19.435 K Ohms	79° F	9.483 K Ohms
52° F	18.871 K Ohms	80° F	9.284 K Ohms
53° F	18.382 K Ohms	81° F	9.079 K Ohms
54° F	17.902 K Ohms	82° F	8.864 K Ohms
55° F	17.473 K Ohms	83° F	8.655 K Ohms
56° F	16.988 K Ohms	84° F	8.450 K Ohms
57° F	16.549 K Ohms	85° F	8.253 K Ohms
58° F	16.150 K Ohms	86° F	8.057 K Ohms
59° F	15.710 K Ohms	87° F	7.871 K Ohms
60° F	15.314 K Ohms	88° F	7.687 K Ohms
61° F	14.923 K Ohms	89° F	7.509 K Ohms
62° F	14.547 K Ohms	90° F	7.335 K Ohms
63° F	14.193 K Ohms	91° F	7.166 K Ohms
64° F	13.823 K Ohms	92° F	7.001 K Ohms
65° F	13.477 K Ohms	93° F	6.840 K Ohms
66° F	13.138 K Ohms	94° F	6.685 K Ohms
67° F	12.813 K Ohms	95° F	6.531 K Ohms
68° F	12.492 K Ohms	96° F	6.384 K Ohms
69° F	12.186 K Ohms	97° F	6.238 K Ohms
70° F	11.893 K Ohms	98° F	6.099 K Ohms
71° F	11.593 K Ohms	99° F	5.963 K Ohms
72° F	11.309 K Ohms	100° F	5.829 K Ohms
73° F	11.032 K Ohms	101° F	5.700 K Ohms
74° F	10.765 K Ohms	102° F	5.572 K Ohms
75° F	10.502 K Ohms	103° F	5.449 K Ohms
76° F	10.250 K Ohms	104° F	5.327 K Ohms
77° F	10.000 K Ohms		

## Thermistor Test

Disconnect the thermistor from the T-Stat Board before performing test. Place a good thermometer in the pool skimmer and turn on the filter pump. Set your meter to Resistance (20 K Ohms or above). Measure the resistance between the two leads of the thermistor. Compare this reading to the chart.

