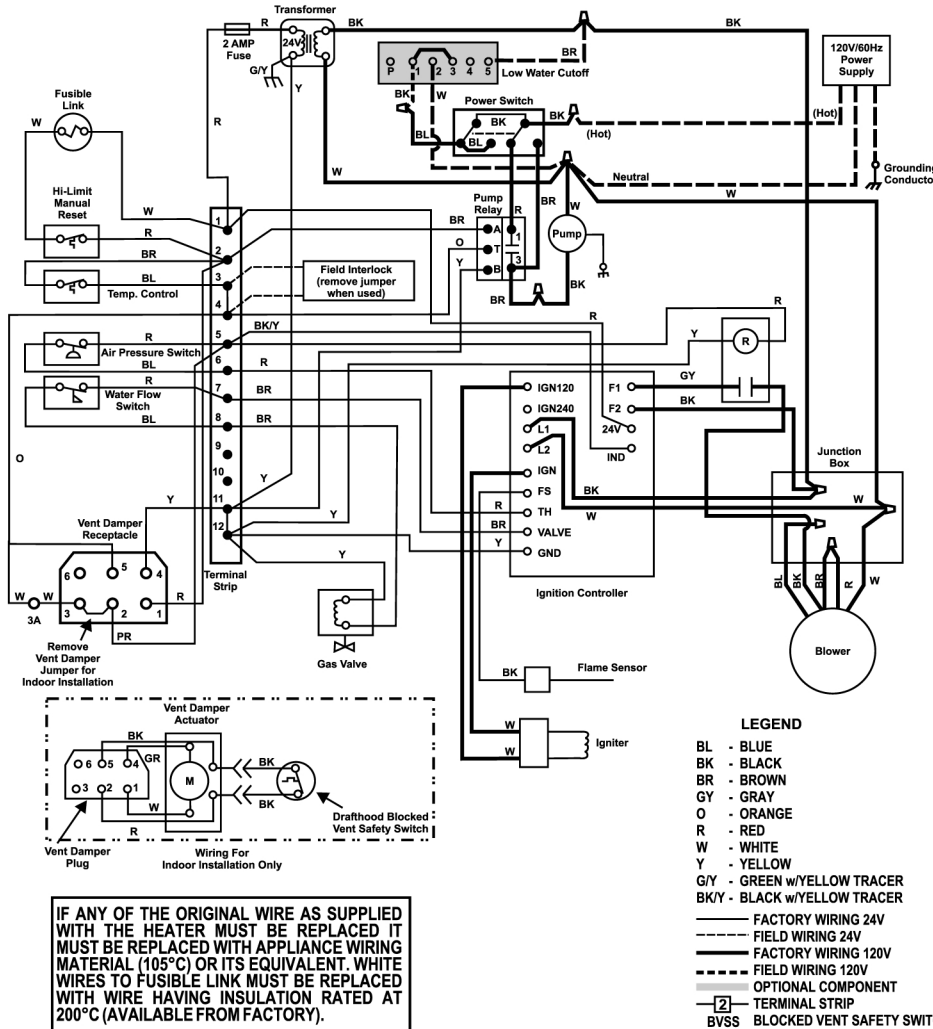


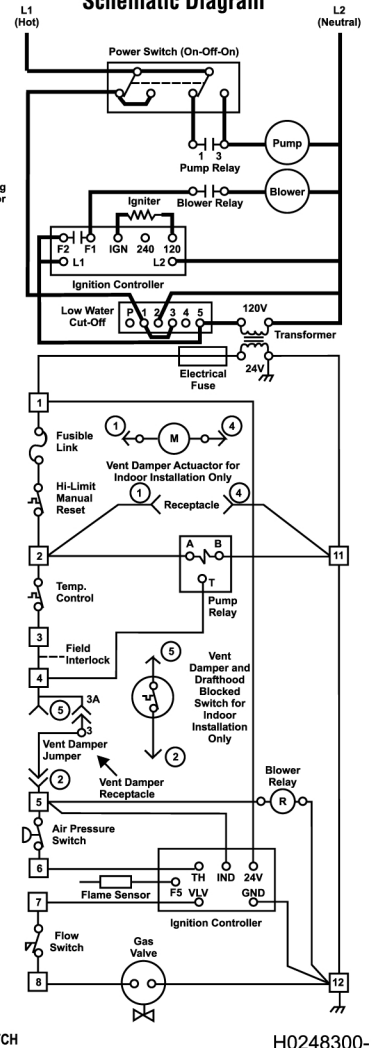
SYSTEM NUMBER 22 - HOT SURFACE IGNITION

On/Off with EM2 Hydronic Boiler PH (Size 250)

Wiring Diagram



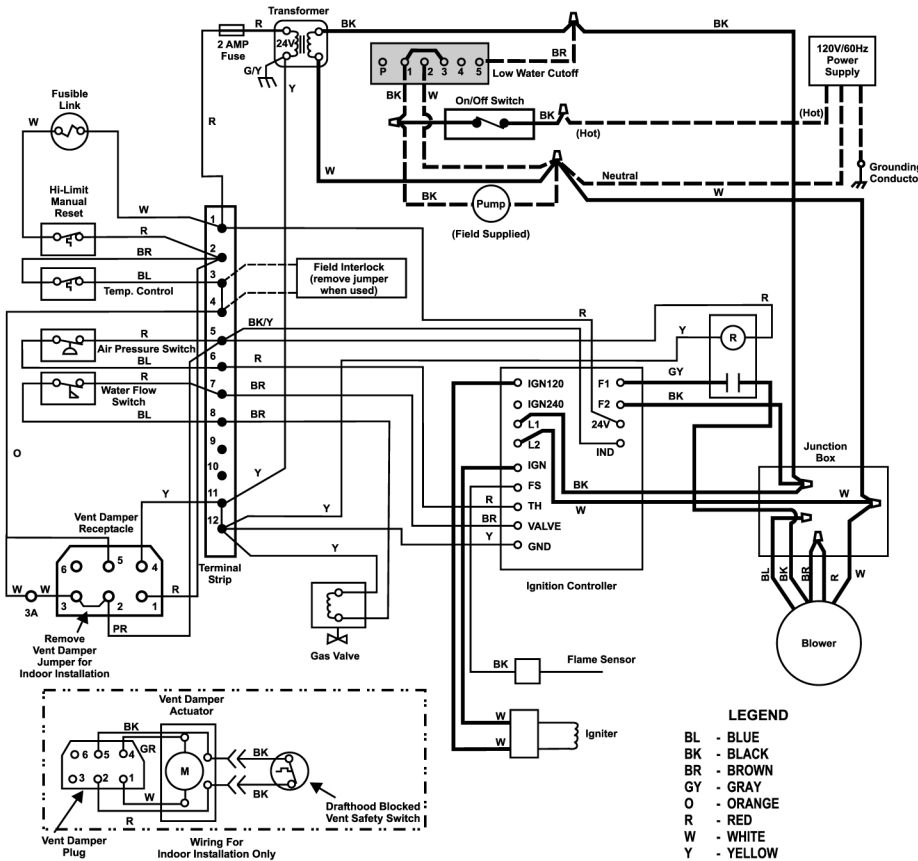
Schematic Diagram



SYSTEM NUMBER 22 - HOT SURFACE IGNITION

On/Off Hydronic Boiler HH (Size 250)

Wiring Diagram

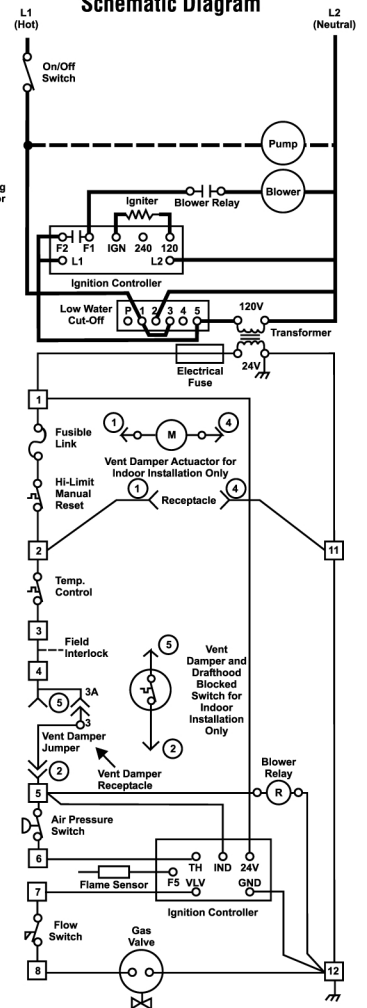


LEGEND

BL - BLUE
 BK - BLACK
 BR - BROWN
 GY - GRAY
 O - ORANGE
 R - RED
 W - WHITE
 Y - YELLOW
 G/Y - GREEN w/YELLOW TRACER
 BK/Y - BLACK w/YELLOW TRACER

— FACTORY WIRING 24V
 - - - FIELD WIRING 24V
 — FACTORY WIRING 120V
 - - - FIELD WIRING 120V
 □ OPTIONAL COMPONENT
 [] TERMINAL STRIP
 B/VSS BLOCKED VENT SAFETY SWITCH

Schematic Diagram



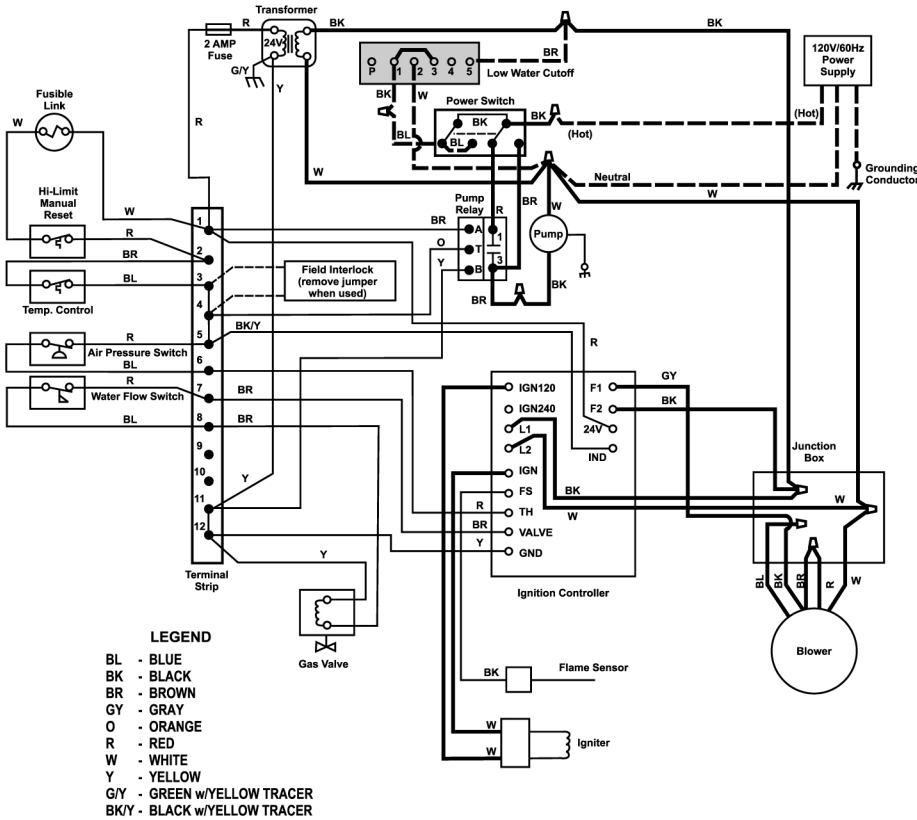
IF ANY OF THE ORIGINAL WIRE AS SUPPLIED WITH THE HEATER MUST BE REPLACED IT MUST BE REPLACED WITH APPLIANCE WIRING MATERIAL (105°C) OR ITS EQUIVALENT. WHITE WIRES TO FUSIBLE LINK MUST BE REPLACED WITH WIRE HAVING INSULATION RATED AT 200°C (AVAILABLE FROM FACTORY).

SYSTEM NUMBER 22 - HOT SURFACE IGNITION

On/Off with EM2

Hydronic Boiler / Volume Water Heater (PH/PW) 400

Wiring Diagram



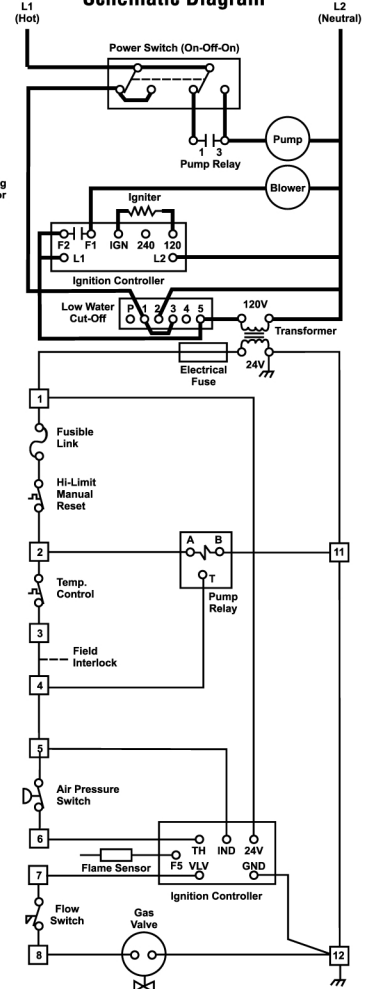
- LEGEND**
- BL - BLUE
 - BK - BLACK
 - BR - BROWN
 - GY - GRAY
 - O - ORANGE
 - R - RED
 - W - WHITE
 - Y - YELLOW
 - G/Y - GREEN w/YELLOW TRACER
 - BK/Y - BLACK w/YELLOW TRACER

- FACTORY WIRING 24V
- - - FIELD WIRING 24V
- FACTORY WIRING 120V
- - - FIELD WIRING 120V
- OPTIONAL COMPONENT
- ② TERMINAL STRIP

NOTE: Hard water pump is field supplied.

IF ANY OF THE ORIGINAL WIRE AS SUPPLIED WITH THE HEATER MUST BE REPLACED IT MUST BE REPLACED WITH APPLIANCE WIRING MATERIAL (105°C) OR ITS EQUIVALENT. WHITE WIRES TO FUSIBLE LINK MUST BE REPLACED WITH WIRE HAVING INSULATION RATED AT 200°C (AVAILABLE FROM FACTORY).

Schematic Diagram

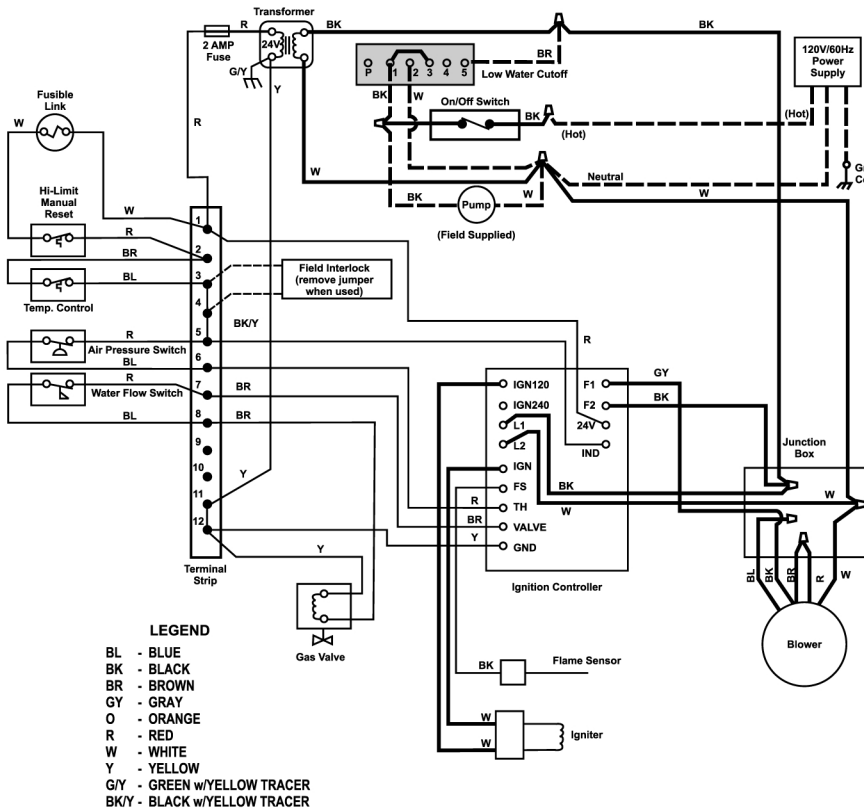


SYSTEM NUMBER 22 - HOT SURFACE IGNITION

On/Off

Hydronic Boiler / Volume Water Heater (HH/VW) 400

Wiring Diagram



- LEGEND**
- BL - BLUE
 - BK - BLACK
 - BR - BROWN
 - GY - GRAY
 - O - ORANGE
 - R - RED
 - W - WHITE
 - Y - YELLOW
 - G/Y - GREEN w/YELLOW TRACER
 - BK/Y - BLACK w/YELLOW TRACER

- FACTORY WIRING 24V
- - - FIELD WIRING 24V
- FACTORY WIRING 120V
- - - FIELD WIRING 120V
- ▭ OPTIONAL COMPONENT
- ② TERMINAL STRIP

IF ANY OF THE ORIGINAL WIRE AS SUPPLIED WITH THE HEATER MUST BE REPLACED IT MUST BE REPLACED WITH APPLIANCE WIRING MATERIAL (105°C) OR ITS EQUIVALENT. WHITE WIRES TO FUSIBLE LINK MUST BE REPLACED WITH WIRE HAVING INSULATION RATED AT 200°C (AVAILABLE FROM FACTORY).

Schematic Diagram

