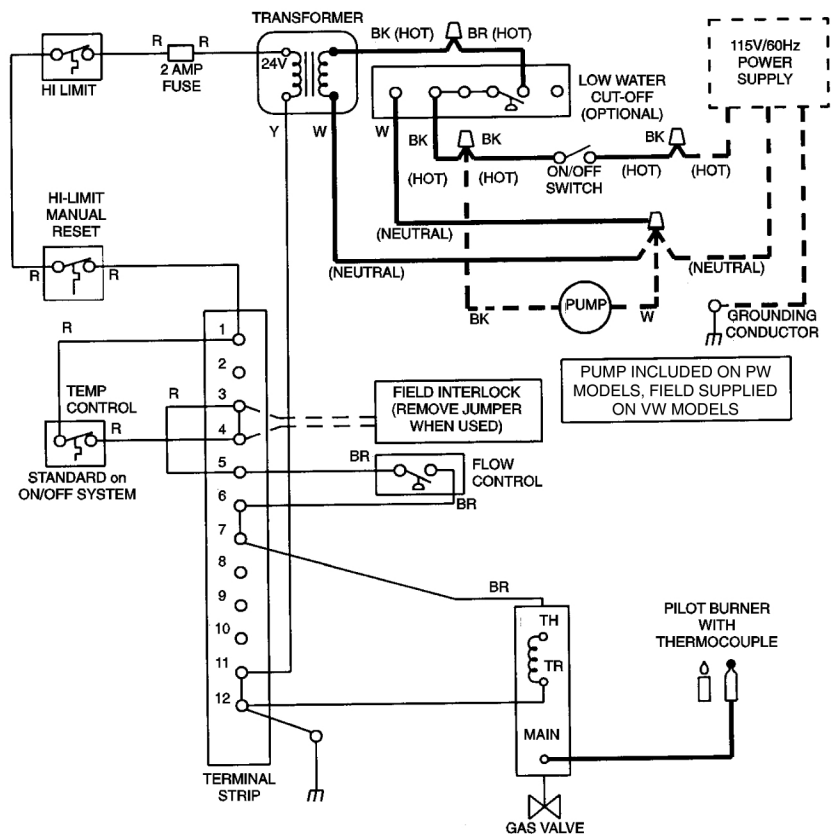


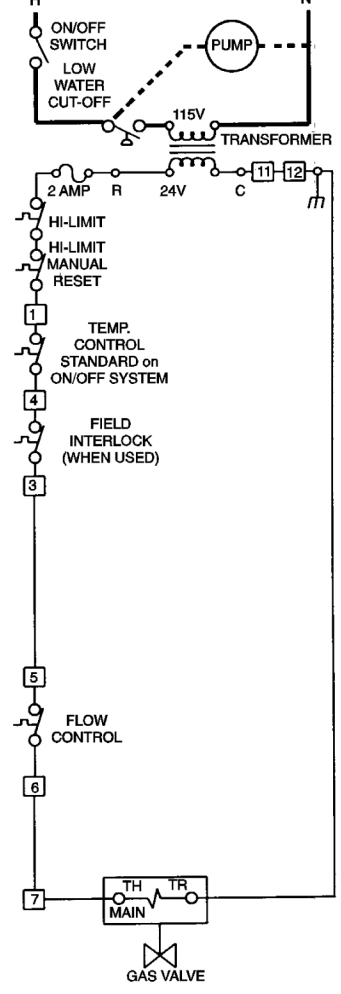
IGNITION SYSTEM NO. 1 - STANDING PILOT ON/OFF OR MECHANICAL MODULATION

Volume Water Heaters (325-400) Version B
Natural or Propane Gas

WIRING DIAGRAM



SCHEMATIC DIAGRAM



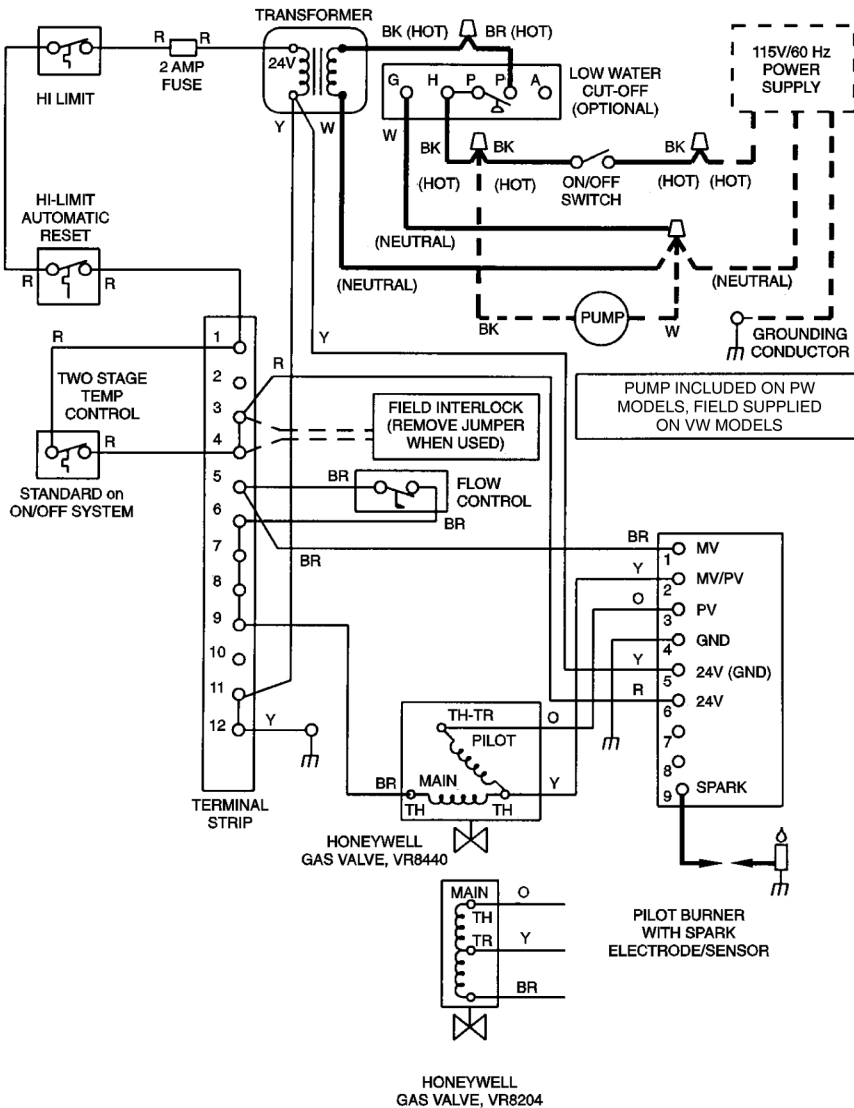
| LEGEND | | |
|--------|---------------------|-------------|
| | TERMINAL STRIP | BL - BLUE |
| | FACTORY WIRING 24V | BK - BLACK |
| | FIELD WIRING 24V | BR - BROWN |
| | FACTORY WIRING 115V | GR - GREEN |
| | FIELD WIRING 115V | O - ORANGE |
| | | PR - PURPLE |
| | | R - RED |
| | | W - WHITE |
| | | Y - YELLOW |

IF ANY OF THE ORIGINAL WIRE AS SUPPLIED WITH THE HEATER MUST BE REPLACED, IT MUST BE REPLACED WITH APPLIANCE WIRING MATERIAL 105°C (220°F) OR ITS EQUIVALENT.

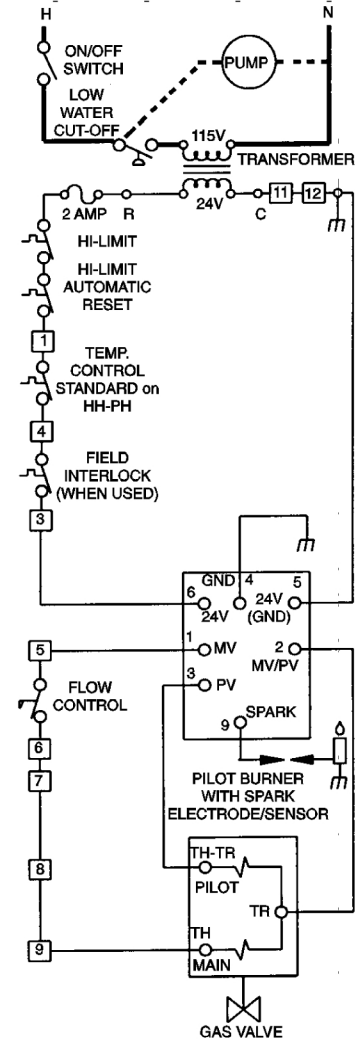
IGNITION SYSTEM NO. 12 - ELECTRONIC IGNITION ON/OFF OR MECHANICAL MODULATION

Volume Water Heaters (325-400) Version B
Natural or Propane Gas

WIRING DIAGRAM



SCHEMATIC DIAGRAM



LEGEND

- | | | |
|---------------------|-------------|------------|
| TERMINAL STRIP | BL - BLUE | R - RED |
| FACTORY WIRING 24V | BL - BLACK | W - WHITE |
| FIELD WIRING 24V | BR - BROWN | Y - YELLOW |
| FACTORY WIRING 115V | GR - GREEN | |
| FIELD WIRING 115V | O - ORANGE | |
| | PR - PURPLE | |

IF ANY OF THE ORIGINAL WIRE AS SUPPLIED WITH THE BOILER MUST BE REPLACED, IT MUST BE REPLACED WITH APPLIANCE WIRING MATERIAL 105°C (220°F) OR ITS EQUIVALENT. WHITE WIRES TO FUSIBLE LINK MUST BE REPLACED WITH WIRE HAVING INSULATION RATED AT 200°C (390°F). (AVAILABLE FROM FACTORY).