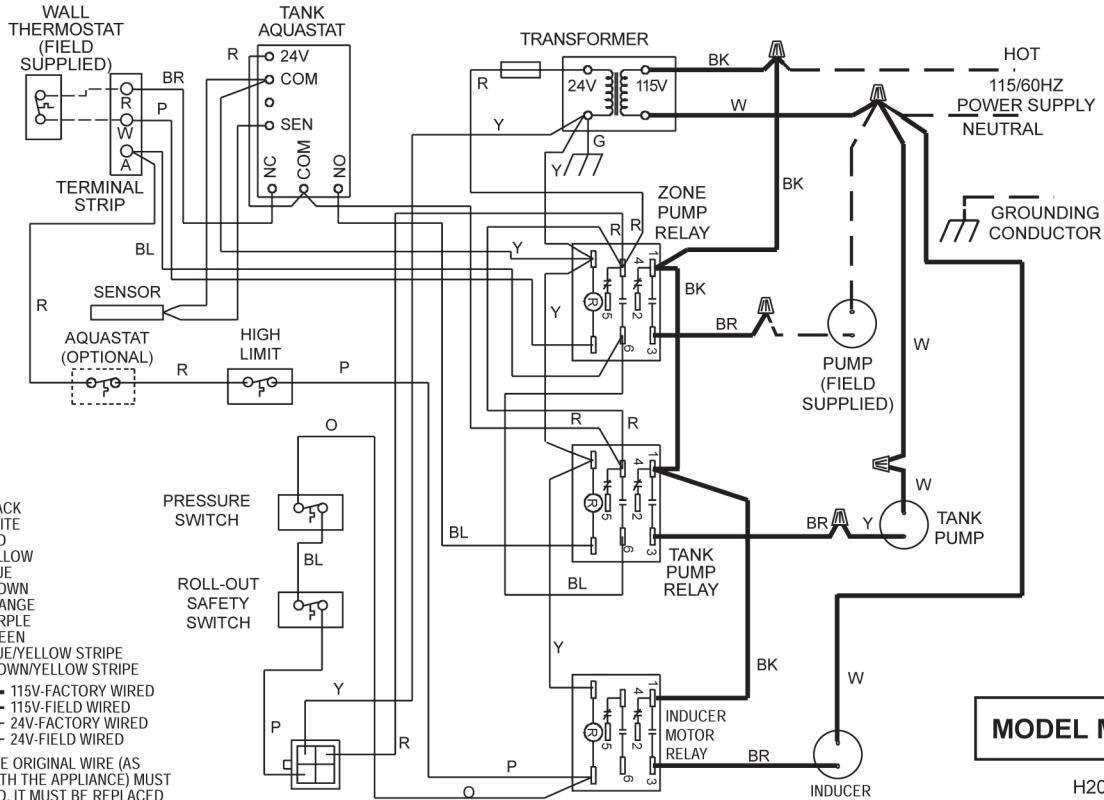


Wiring Diagram MiniCombo MCH



- BK - BLACK
- W - WHITE
- R - RED
- Y - YELLOW
- BL - BLUE
- BR - BROWN
- O - ORANGE
- P - PURPLE
- G - GREEN
- BL/Y - BLUE/YELLOW STRIPE
- BR/Y - BROWN/YELLOW STRIPE

- 115V-FACTORY WIRED
- 115V-FIELD WIRED
- 24V-FACTORY WIRED
- 24V-FIELD WIRED

IF ANY OF THE ORIGINAL WIRE (AS SUPPLIED WITH THE APPLIANCE) MUST BE REPLACED, IT MUST BE REPLACED WITH APPLIANCE WIRING MATERIAL SUITABLE FOR 105 DEGREES C OR ITS EQUIVALENT

MODEL MCH

H2021000A

Sequence of Operation

